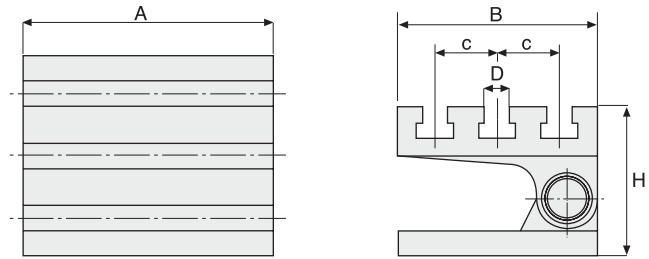




P-08~11

TITLING ANGLE PLATE**Model: HSAP-1, 2, 3, 4**

These Titling Angle Plates are available in a range of sizes. They are designed primarily for simple, quick angle adjustment and angle setting on Drilling and Milling Machines.

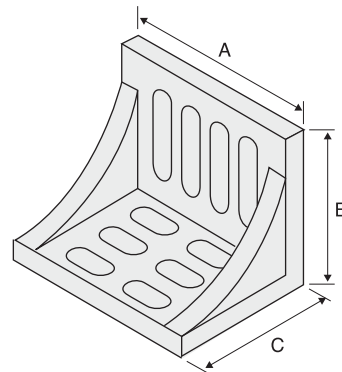
**SPECIFICATIONS**

Unit: mm

NO	Model	A	B	C	D	H	Weight (kg)
P-08	HSAP-1	204	154	46	13	130	12
P-09	HSAP-2	256	204	64	16	170	26
P-10	HSAP-3	306	254	68	16	196	45
P-11	HSAP-4	386	308	80	16	210	78



P-12~16

**SLOTTED ANGLE PLATE
(PRECISION GROUND)****Model: HL-4", 6", 8", 10", 12"****SPECIFICATIONS**

Unit: inch

NO	Model	A	B	C	Weight (kg)
P-12	HL-4"	4-1/2"	3-1/2"	3"	2
P-13	HL-6"	6"	5"	4-1/2"	3.5
P-14	HL-8"	8"	6"	5"	7
P-15	HL-10"	10"	8"	6"	12
P-16	HL-12"	12"	9"	8"	25