

D-15~20

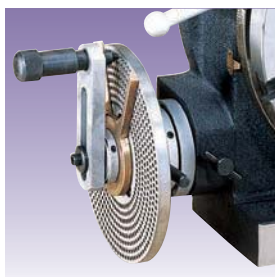
HORIZONTAL / VERTICAL ROTARY TABLE

Model: HHV-150, 200, 250, 300, 350, 400

The work table is graduated 360 degrees around its circumference and is driven by a precision Worm and Gear providing a 90:1 reduction ratio. One turn of the Handle moves the Table through 4 degrees. The dial is graduated in divisions of 1 min. and the vernier scale allows readings down to 10 seconds.

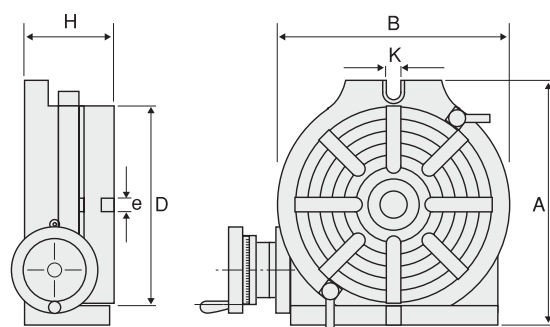
- The Worm is hardened and precision ground to minimize wear out of the WORM GEAR.
- Both the upper and the lower surface of the ROTARY PLATES are precision ground.

REMARK: " Operation and Service Manual " is included for reference



OPTIONAL ACCESSORIES:

- Tail Stock
- Dividing Plate Set
- 3-Jaw Chuck



SPECIFICATIONS

Unit: mm

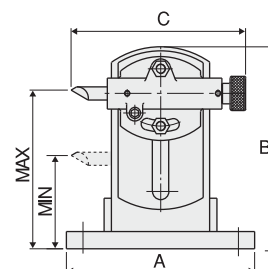
NO	Model	Table		Base dimension		Bolt slots	Centers sleeve	Worm gear ratio	Weight (kg)
		D	H	A	B	K			
D-15	HHV-150	150	92	220	160	18	MT-2	90 : 1	12.5
D-16	HHV-200	200	120	310	225	18	MT-3		31.0
D-17	HHV-250	250	120	320	280	18	MT-3		48.5
D-18	HHV-300	300	140	410	325	18	MT-4		77.0
D-19	HHV-350	350	140	460	380	18	MT-4		98
D-20	HHV-400	400	140	510	435	18	MT-5		130

D-26~28

TAIL STOCK

Model: TS-1, 2, 3

This TAIL STOCK can be used for accurate centring when the Rotary Table is used in vertical position.



SPECIFICATIONS

Unit: mm

NO	Order No.	Suitable for	A	B	C	Center Height		Weight (kg)
						Max.	Min.	
D-26	TS-1	HHV-200 / HHV-250	230	247	210	190	110	13
D-27	TS-2	HHV-300	230	280	210	220	140	15
D-28	TS-3	HHV-350 / HHV-400	230	330	210	264	184	17