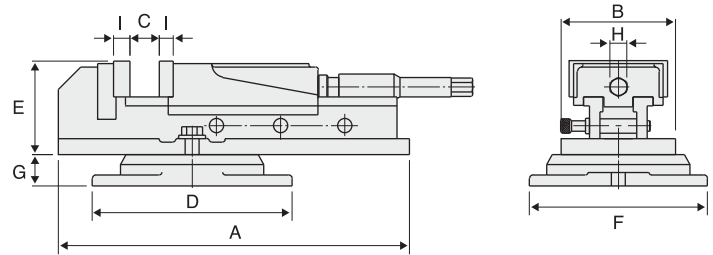




V-55~57

SUPER-OPEN MILLING VICE**Model: H-400, 600, 800****8" JAW OPENING ON H-400 VICE****11" JAW OPENING ON H-600 VICE****14" JAW OPENING ON H-800 VICE**

Except the Hydraulic System, it has almost the same features with HH-Type HYDRAULIC MACHINE VICE.



Unit: mm/inch

SPECIFICATIONS

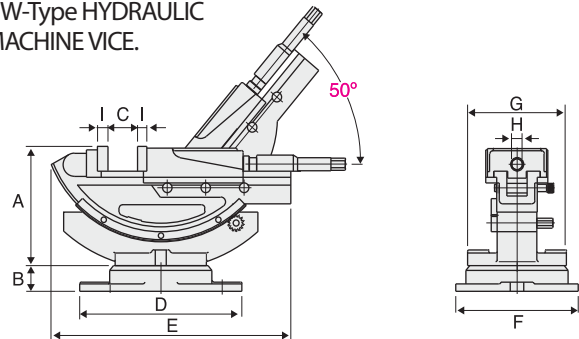
| NO | Model | A | | B | | C | | D | | E | | F | | G | | H | | I | | Weight (kg) |
|------|-------|-----|----------------------------------|-----|---------------------------------|-----|----|-----|---------------------------------|-----|---------------------------------|-----|---------------------------------|----|---------------------------------|----|-------------------------------|----|--------------------------------|-------------|
| V-55 | H-400 | 394 | 15 ³³ / ₆₄ | 148 | 5 ⁵³ / ₆₄ | 200 | 8 | 224 | 8 ¹³ / ₁₆ | 105 | 4 | 204 | 4 ¹ / ₈ | 35 | 1 ³ / ₈ | 19 | 3 ³ / ₄ | 15 | 1 ⁹ / ₃₂ | 19 |
| V-56 | H-600 | 535 | 2 ¹¹ / ₁₆ | 200 | 7 ⁷ / ₈ | 275 | 11 | 280 | 1 ¹¹ / ₆₄ | 142 | 5 ¹⁹ / ₃₂ | 256 | 1 ¹⁰ / ₆₄ | 32 | 1 ¹ / ₄ | 19 | 3 ³ / ₄ | 15 | 1 ⁹ / ₃₂ | 45 |
| V-57 | H-800 | 605 | 2 ³¹ / ₁₆ | 250 | 10 | 336 | 14 | 336 | 1 ³¹ / ₆₄ | 144 | 5 ⁴³ / ₆₄ | 300 | 1 ¹¹ / ₁₆ | 40 | 1 ³⁷ / ₆₄ | 19 | 3 ³ / ₄ | 15 | 1 ⁹ / ₃₂ | 75 |



V-58~59

TILTING SUPER-OPEN VICE**Model: HHY-100 , 150****Our most popular angle milling vice**

- Tilts up and down.
- Base swivels.
- High quality casting with ground finish.
- Easy and light operating, 4 holes can be firmly clamped quickly.
- Type HHY-150 jaw's opening 310mm, 2 times larger than the normal milling vices.
- Except the Hydraulic system, it has almost the same features with HW-Type HYDRAULIC MACHINE VICE.



Unit: mm

SPECIFICATIONS

| NO | Model | A | B | C | D | E | F | G | H | I | Weight (kg) |
|------|---------|-----|----|-----|-----|-----|-----|-----|----|----|-------------|
| V-58 | HHY-100 | 195 | 42 | 170 | 270 | 405 | 228 | 168 | 19 | 15 | 29 |
| V-59 | HHY-150 | 214 | 40 | 310 | 336 | 485 | 300 | 238 | 19 | 15 | 58 |