

## Portapinzas tipo HW DIN 6388. DIN 228-B

### HW DIN 6388 Collet chucks. DIN 228-B

**Utilización:** Para la sujeción de Herramientas con mango cilíndrico (DIN 1835-A) en las pinzas 70xx.HWA/B/R.xxx (DIN 6388).

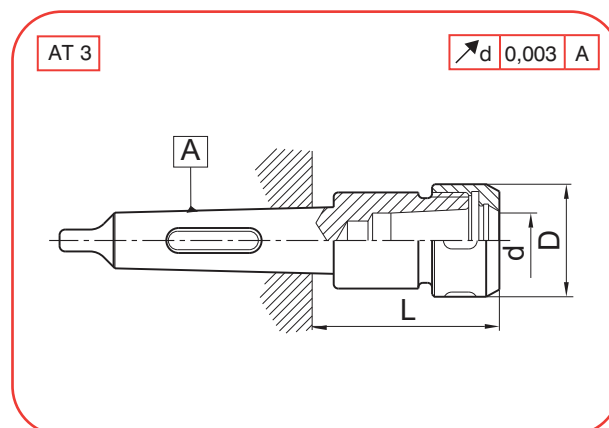
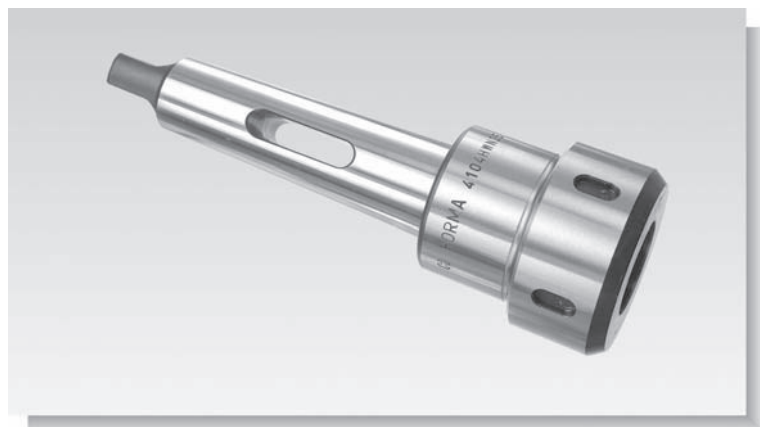
**Suministro:** Incluida la tuerca de sujeción. La llave no está incluida y se debe pedir aparte.

**Application:** For clamping cylindrical shank tools (DIN 1835-A) in collets 70xx.HWA/B/R.xxx (DIN 6388).

**Delivery:** Locknut included. Wrench not included and has to be ordered separately.



# 41xx.HWN / B



A	COD	d	L	D
02	4102.HWN.20	HW20 (4-20)	74	50
03	4103.HWN.20	HW20 (4-20)	74	50
	4103.HWN.25	HW25 (4-25)	68	60
04	4104.HWN.20	HW20 (4-20)	76	50
	4104.HWN.25	HW25 (4-25)	70	60
05	4105.HWN.32	HW32 (6-32)	86	72

HWN = Con tuerca normal

HWN = With normal nut

Ref: 74HWN...

A	COD	d	L	D
02	4102.HWB.20	HW20 (4-20)	74	50
03	4103.HWB.20	HW20 (4-20)	74	50
	4103.HWB.25	HW25 (4-25)	68	60
04	4104.HWB.20	HW20 (4-20)	76	50
	4104.HWB.25	HW25 (4-25)	70	60
05	4105.HWB.32	HW32 (6-32)	86	72

HWB = Con tuerca a bolas

HWB = With ball bearing nut

Ref: 74HWB...

#### Piezas de recambio - Spare parts

d	REF.	REF.	REF.	REF.	REF.	REF.
HW20	74HWN20	74HWB20	LHWN16	7020HWA040---200	7020HWB060---200	7020HWR060---200
HW25	74HWN25	74HWB25	LHWN20	7025HWA040---250	7025HWB060---250	7025HWR060---250
HW32	74HWN32	74HWB32	LHWN25	7032HWA060---320	7032HWB060---320	7032HWR060---320