

Portapinzas tipo HW DIN 6388. DIN 2080

HW DIN 6388 Collet chucks. DIN 2080

Utilización: Para la sujeción de Herramientas con mango cilíndrico (DIN 1835-A) en las pinzas 70xx.HWA/B/R.xxx (DIN 6388).

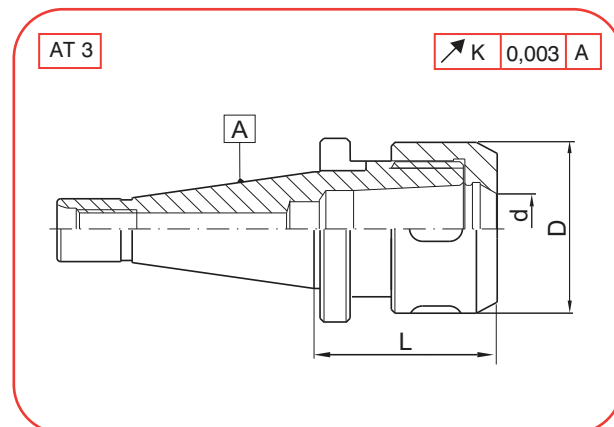
Suministro: Incluida la tuerca de sujeción. La llave no está incluida y se debe pedir aparte.

Application: For clamping cylindrical shank tools (DIN 1835-A) in collets 70xx.HWA/B/R.xxx (DIN 6388).

Delivery: Locknut included. Wrench not included and has to be ordered separately.



35xx.HWN / B



A	COD	d	L	D
30	3530.HWN.20	HW20 (4-20)	55	50
	3530.HWN.25	HW25 (4-25)	70	60
40	3540.HWN.20	HW20 (4-20)	55	50
	3540.HWN.25	HW25 (4-25)	55	60
	3540.HWN.32	HW32 (6-32)	70	72
50	3550.HWN.25	HW25 (4-25)	55	60
	3550.HWN.32	HW32 (6-32)	55	72

HWN = Con tuerca normal
HWN = With normal nut

Ref: 74HWN...

A	COD	d	L	D
30	3530.HWB.20	HW20 (4-20)	55	50
	3530.HWB.25	HW25 (4-25)	70	60
40	3540.HWB.20	HW20 (4-20)	55	50
	3540.HWB.25	HW25 (4-25)	55	60
	3540.HWB.32	HW32 (6-32)	70	72
50	3550.HWB.25	HW25 (4-25)	55	60
	3550.HWB.32	HW32 (6-32)	55	72

HWB = Con tuerca a bolas
HWB = With ball bearing nut

Ref: 74HWB...

Piezas de recambio - Spare parts

d	REF.	REF.	REF.	REF.	REF.	REF.
HW20	74HWN20	74HWB20	LHWN16	7020HWA040---200	7020HWB060---200	7020HWR060---200
HW25	74HWN25	74HWB25	LHWN20	7025HWA040---250	7025HWB060---250	7025HWR060---250
HW32	74HWN32	74HWB32	LHWN25	7032HWA060---320	7032HWB060---320	7032HWR060---320