

## Reductores para Cono Morse. DIN 2080

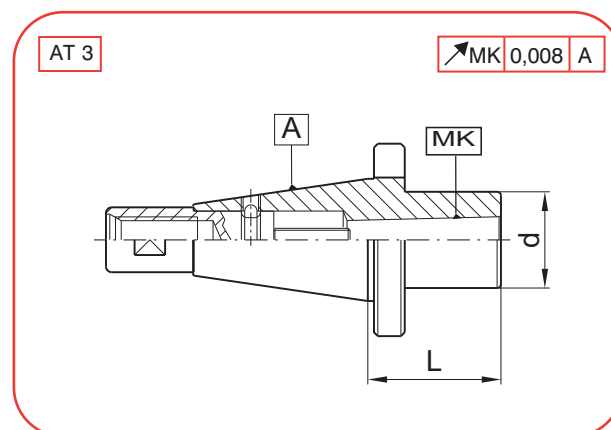
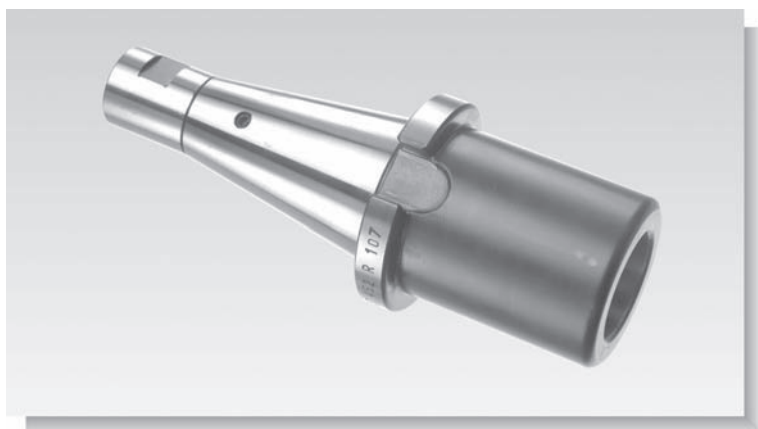
### Morse tape adaptors. DIN 2080

Utilización: Para herramientas con cono morse roscado DIN 228-A.

Application: For holding tools with morse taper and draw bar thread DIN 228-A






# 35xx.RTM



| A  | MK      | COD         | L  | d  |
|----|---------|-------------|----|----|
| 30 | MORSE 1 | 3530.RTM.01 | 35 | 25 |
|    | MORSE 2 | 3530.RTM.02 | 46 | 32 |
|    | MORSE 3 | 3530.RTM.03 | 72 | 40 |
| 40 | MORSE 1 | 3540.RTM.01 | 20 | 25 |
|    | MORSE 2 | 3540.RTM.02 | 30 | 32 |
|    | MORSE 3 | 3540.RTM.03 | 48 | 40 |
|    | MORSE 4 | 3540.RTM.04 | 71 | 50 |

| A  | MK      | COD         | L   | d  |
|----|---------|-------------|-----|----|
| 50 | MORSE 2 | 3550.RTM.02 | 21  | 32 |
|    | MORSE 3 | 3550.RTM.03 | 40  | 40 |
|    | MORSE 4 | 3550.RTM.04 | 65  | 63 |
|    | MORSE 5 | 3550.RTM.05 | 100 | 70 |

#### Piezas de recambio - Spare parts

| <br>A=30    A=40    A=50 |         |         |         | <br>A=30    A=40    A=50 |       |       |       | <br>A=30    A=40    A=50 |                |                |                |
|---|---------|---------|---------|---|-------|-------|-------|---|----------------|----------------|----------------|
| MK  | REF.    | REF.    | REF.    | MK  | REF.  | REF.  | REF.  | MK  | REF.           | REF.           | REF.           |
| 1   | TRM1206 | TRM1606 |         | 1   | BOL03 | BOL04 |       | 1   | T305005 (M5x5) | T306006 (M6x6) |                |
| 2   | TRM1210 | TRM1610 | TRM2410 | 2   | BOL03 | BOL04 | BOL04 | 2   | T305005 (M5x5) | T306006 (M6x6) | T306006 (M6x6) |
| 3   | TRM1212 | TRM1612 | TRM2412 | 3   | BOL03 | BOL04 | BOL04 | 3   | T305005 (M5x5) | T306006 (M6x6) | T306006 (M6x6) |
| 4   |         | TRM1616 | TRM2416 | 4   |       | BOL04 | BOL04 | 4   |                | T306006 (M6x6) | T306006 (M6x6) |
| 5   |         |         | TRM2420 | 5   |       |       | BOL04 | 5   |                |                | T306006 (M6x6) |