

Portafresas arrastre frontal. JIS B 6339 (BT)

Shell mill adaptors. JIS B 6339 (BT)

Utilización: Para Fresas con arrastre frontal según DIN 138

Tolerancia Ød: h6

Suministro: Incluidos los tetones de arrastre y el tornillo de sujeción.

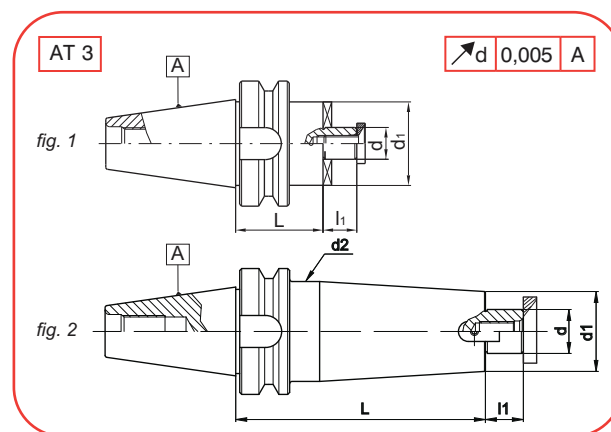
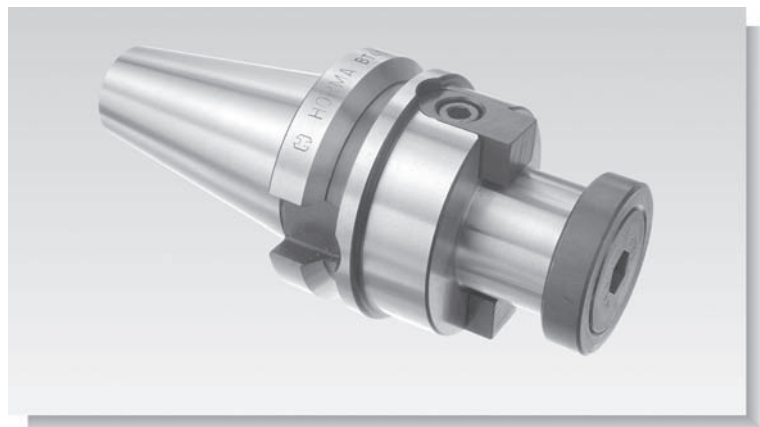
Application: For cutters with driving slots according to DIN 138

Tolerance Ød: h6

Delivery: Driving keys and tightening bolt included



30xx.MFN



A	FIG	COD	d	L	d1	d2±1	L1
40	fig 1	3040.MFN.16		45	32	-	
	fig 2	3040.MFN.16.090	16	90	32	32	17
	fig 2	3040.MFN.16.120		120	42	42	
	fig 1	3040.MFN.22		45	40	-	
	fig 2	3040.MFN.22.090	22	90	40	40	19
	fig 2	3040.MFN.22.120		120	40	40	
	fig 1	3040.MFN.27		45	48	-	
	fig 2	3040.MFN.27.090	27	90	60	60	21
	fig 2	3040.MFN.27.120		120	60	60	
	fig 1	3040.MFN.32		45	58	-	24
	fig 2	3040.MFN.32.090	32	90	63	63	
	fig 1	3040.MFN.40	40	45	70	-	27

A	FIG	COD	d	L	d1	d2±1	L1
50	fig 1	3050.MFN.16	16	70	32	-	17
	fig 1	3050.MFN.22		70		-	
	fig 2	3050.MFN.22.105	22	105	40	40	19
	fig 2	3050.MFN.22.170		170		55	
	fig 2	3050.MFN.22.220		220		55	
	fig 1	3050.MFN.27		70		-	
	fig 2	3050.MFN.27.105	27	105	48	48	21
	fig 2	3050.MFN.27.170		170		60	
	fig 2	3050.MFN.27.220		220		65	
	fig 1	3050.MFN.32		70	58	-	
	fig 2	3050.MFN.32.105	32	105	70	70	24
	fig 2	3050.MFN.32.170		170	58	75	
	fig 2	3050.MFN.32.220		220	58	75	
	fig 1	3050.MFN.40	40	70	70	-	27

Piezas de recambio - Spare parts

d	REF.	REF.	REF.	REF.
16	AMF16	T108020 (M8x20)	CHA16	T203008 (M3x8)
22	AMF22	T110025 (M10x25)	CHA22	T204008 (M4x8)
27	AMF27	T112025 (M12x25)	CHA27	T205012 (M5x12)
32	AMF32	T116035 (M16x35)	CHA32	T206012 (M6x12)
40	AMF40	T120040 (M20x40)	CHA40	T208012 (M8x12)