

Reductores para Cono ISO. JIS B 6339 (BT)

ISO Taper adaptors. JIS B 6339 (BT)

Utilización: Para herramientas con cono ISO según DIN2080.

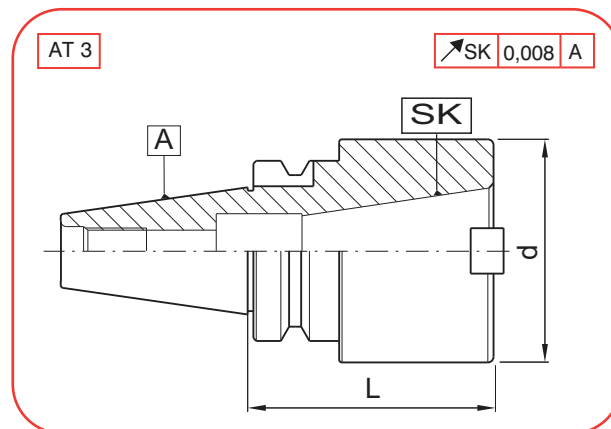
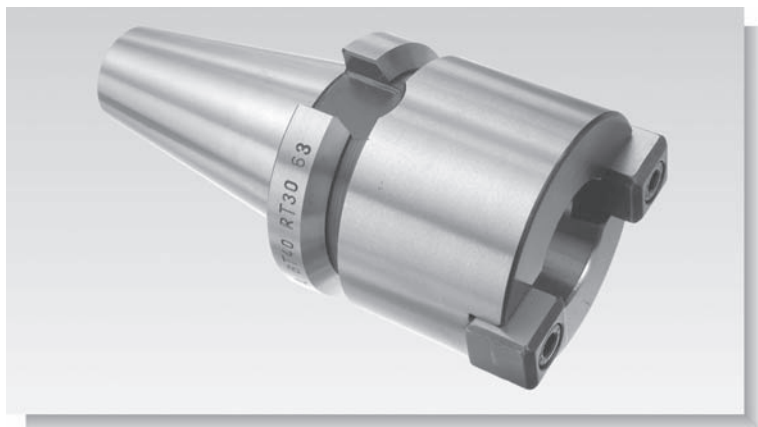
Suministro: El tornillo o el tirante alargado se deben pedir separadamente.

Application: For holding tools with ISO taper according to DIN2080.

Delivery: The screw DIN912 or the long pull stud have to be ordered separately.



30xx.RTI



| A | SK | COD | L | d |
|----|-------|-------------|----|----|
| 40 | ISO30 | 3040.RTI.30 | 63 | 63 |
| | ISO40 | 3040.RTI.40 | 86 | 78 |

| A | SK | COD | L | d |
|----|-------|-------------|----|----|
| 50 | ISO40 | 3050.RTI.40 | 60 | 80 |

En los conos de tamaño A=40, la sujeción de la herramienta se realiza por medio de tirante largo, mientras que en los conos de tamaño A=50 se usan tornillos allen.

With taper A=40, tools are always held with long pull studs while with taper A=50 DIN912 screws are used.

Piezas de recambio - Spare parts

| A = 40 | | | MAS 403 - BT | | A = 50 | | DIN 912 | |
|--------|-------|---------|--------------|------------|--------|---------|---------|------|
| SK | REF. | REF. | SK | REF. | SK | REF. | SK | REF. |
| ISO30 | CHI40 | T206015 | ISO30 | TIL4012300 | ISO40 | T216035 | | |
| ISO40 | CHI50 | T206015 | ISO40 | TIL4016300 | | | | |