

Reductores alargados para Cono Morse. DIN 69871-A

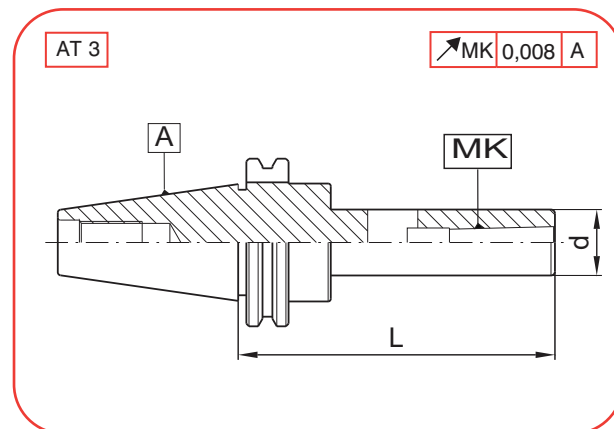
Long Adaptors for Morse Taper. DIN 69871-A

Utilización: Para herramientas con cono morse y lengüeta de arrastre DIN228-B.

Application: For holding tools with morse taper and tang according to DIN228-B.



10xx.RLA



| A | MK | COD | L | d |
|----|---------|-----------------|-----|----|
| 40 | MORSE 1 | 1040.RLA.01.120 | 120 | 25 |
| | MORSE 2 | 1040.RLA.02.135 | 135 | 32 |
| | MORSE 3 | 1040.RLA.03.150 | 150 | 40 |
| | MORSE 4 | 1040.RLA.04.180 | 180 | 50 |

| A | MK | COD | L | d |
|----|---------|-----------------|-----|----|
| 50 | MORSE 1 | 1050.RLA.01.120 | 120 | 25 |
| | MORSE 2 | 1050.RLA.02.135 | 135 | 32 |
| | MORSE 3 | 1050.RLA.03.150 | 150 | 40 |
| | MORSE 4 | 1050.RLA.04.180 | 180 | 50 |

Piezas de recambio - Spare parts

| |
|--|
| |
| |
| |