

Reductores doble uso para Cono Morse. DIN 69871-AD

Combination Adaptors for Morse Taper. DIN 69871-AD

Utilización: Para herramientas con cono morse y lengüeta de arrastre DIN228-B, y opcionalmente con rosca tirante DIN228-A.

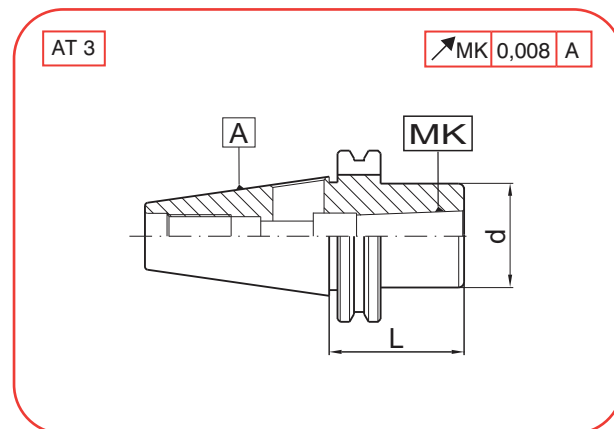
Suministro: El tornillo DIN912 ó el tirante alargado no se encuentran incluidos y se deben pedir separadamente.

Application: For holding tools with morse taper and tang, according to DIN228-B, and optionally with draw bar thread DIN228-A.

Delivery: The screw DIN912 or the long pull stud aren't included and must be ordered separately.



10xx.RLT



| A | MK | COD | L | d |
|----|---------|-----------------|----|----|
| 40 | MORSE 1 | 1040.RLT.01 | 50 | 25 |
| | MORSE 2 | 1040.RLT.02 | 60 | 32 |
| | MORSE 3 | 1040.RLT.03 (*) | 75 | 45 |
| | MORSE 4 | 1040.RLT.04 (*) | 95 | 55 |

| A | MK | COD | L | d |
|----|---------|-----------------|-----|----|
| 50 | MORSE 1 | 1050.RLT.01 | 45 | 25 |
| | MORSE 2 | 1050.RLT.02 | 45 | 32 |
| | MORSE 3 | 1050.RLT.03 | 70 | 45 |
| | MORSE 4 | 1050.RLT.04 | 95 | 55 |
| | MORSE 5 | 1050.RLT.05 (*) | 110 | 65 |

Los reductores son de doble uso, es decir, además de utilizarse para Morse con lengüeta de arrastre según DIN228-B, también pueden usarse para Morse con rosca de tiro según DIN228-A. Para ello se utiliza un tornillo DIN912 o un tirante alargado (este último en los casos que se indica con *).

*These adaptors are of double use, wich means, apart from use for Morse with tang according to DIN228-B, it is usable as well for Morse with drawbar thread according to DIN228-A using a screw DIN912 or a long pull stud (this last one in cases indicated *).*

Piezas de recambio - Spare parts

| A = 40 | | | | A = 50 | | | |
|--------------|---------|--------------|------------|--------------|---------|--------------|------------|
| DIN 912 | | DIN 69872-A | | DIN 912 | | DIN 69872-A | |
| ISO 7388/2-B | | ISO 7388/2-B | | ISO 7388/2-B | | ISO 7388/2-B | |
| MK | REF. | REF. | REF. | MK | REF. | REF. | REF. |
| 1 | T206040 | | | 1 | T206040 | | |
| 2 | T210045 | | | 2 | T210050 | | |
| 3 | | TIL4012100 | TIL4012200 | 3 | T212050 | | |
| 4 | | TIL4016100 | TIL4016200 | 4 | T216060 | | |
| | | | | 5 | | TIL5020100 | TIL5020200 |