

Portapinzas tipo COP. DIN 2080

COP Collet chucks. DIN 2080

Utilización: Para la sujeción de Herramientas con mango cilíndrico roscado (DIN 1835-D) en las pinzas 70xx.COP.xxx.

Este portapinzas es compatible con pinzas tipo Clarkson.

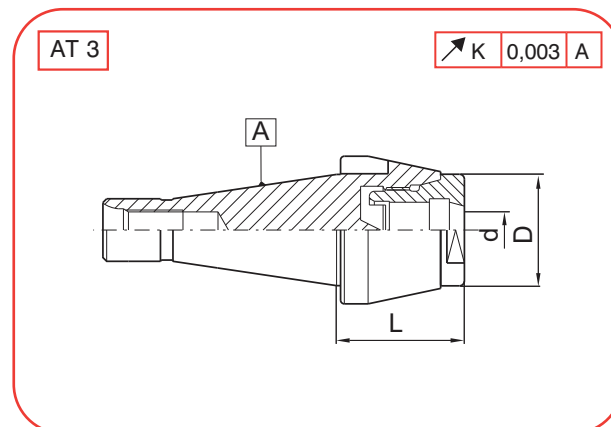
Suministro: Incluida la tuerca de sujeción normal. La llave no está incluida y se debe pedir aparte.

Application: For clamping cylindrical threaded shank tools (DIN 1835-D) in collets 70xx.COP.xxx. This collet chuck is compatible with Clarkson collets.

Delivery: Locknut included. Wrench not included and has to be ordered separately.



35xx.COP



| A | COD | d | L | D |
|----|-------------|---------------|----|----|
| 30 | 3530.COP.16 | COP16 (6-16) | 67 | 50 |
| 40 | 3540.COP.16 | COP16 (6-16) | 50 | 50 |
| | 3540.COP.32 | COP32 (25-32) | 77 | 85 |

| A | COD | d | L | D |
|----|-------------|---------------|----|----|
| 50 | 3550.COP.16 | COP16 (6-16) | 45 | 50 |
| | 3550.COP.32 | COP32 (25-32) | 67 | 85 |

Piezas de recambio - Spare parts

| d | REF. | REF. | REF. | REF. |
|-------|---------|--------|--------|------------------|
| COP16 | 74COP16 | LCOP16 | | 7016COP060---160 |
| COP32 | 74COP32 | | LCOP32 | 7016COP250---320 |