

D-10~11

SUPER INDEXING SPACER**Model: CS-6", CS-8"**

In addition to all of the features of the Simple Indexing Spacer, the Super Indexing Spacer incorporates a Worm Gear and is supplied with a Face Plate. With the further addition of the optional Dividing Plate Set, it can also be used as a Dividing Head. The WORM is hardened and precision ground to minimize the wear out of the WORM GEAR.

REMARK: " Operation and Service Manual " is included for reference

**OPTIONAL ACCESSORIES:****• Tail Stock**

TS-4 for CS-6"

TS-5 for CS-8"

• Dividing Plate Set

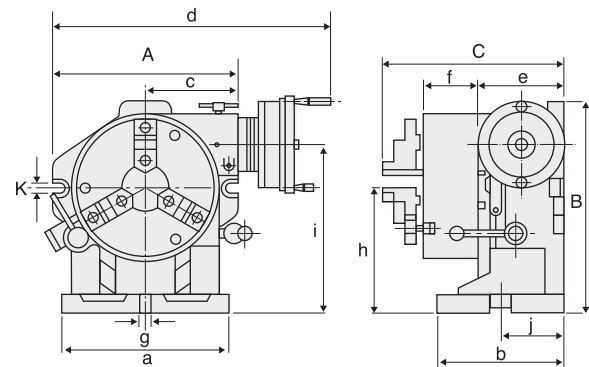
DP-4 for CS-6"

DP-5 for CS-8"

• 3-Jaw Chuck

6" 3-Jaw Chuck for CS-6"

8" 3-Jaw Chuck for CS-8"

**SPECIFICATIONS**

Unit: mm

| NO | Model | Dividable Number | Chuck | | | | Face plate | | | | | | | | | |
|------|-------|-----------------------|----------------|-----------|-----------|------------|----------------|-----------|-----|----|----|-----|-----|----|----|-------------|
| | | | Outer diameter | Inner jaw | Outer jaw | Inner dia. | Outer diameter | Thickness | | | | | | | | |
| D-10 | CS-6" | 2, 3, 4, 6, 8, 12, 24 | 167 | 4~42 | 10~155 | 44 | 203 | 50 | | | | | | | | |
| D-11 | CS-8" | | 210 | 4~62 | 10~180 | 63 | 254 | 58 | | | | | | | | |
| NO | Model | A | B | C | a | b | c | d | e | f | g | h | i | j | k | Weight (kg) |
| D-10 | CS-6" | 250 | 224 | 190 | 190 | 140 | 117 | 420 | 97 | 65 | 16 | 130 | 198 | 84 | 18 | 35 |
| D-11 | CS-8" | 310 | 295 | 212 | 225 | 160 | 142 | 460 | 108 | 76 | 16 | 160 | 245 | 95 | 18 | 70 |

D-14

DIVIDING PLATE SET**Model: DP-4, 5****NUMBER OF HOLES:****DP-4, 5**

A Plate.... 26, 28, 30, 32, 34, 37, 38, 39, 41, 43, 44, 46, 47, 49, 51, 53, 57, 59

B Plate.... 61, 63, 67, 69, 71, 73, 77, 79, 81, 83, 87, 89, 91, 93, 97, 99

DP-4 for CS-6"

DP-5 for CS-8"

