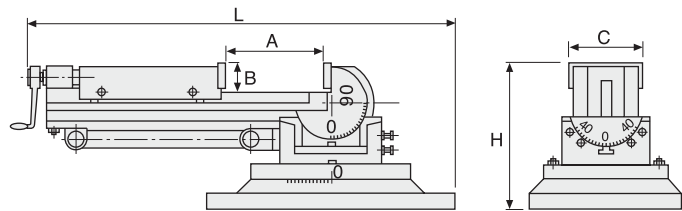




V-69~71

UNIVERSAL 3-WAY TILING VICE**Model: HY-3", 4", 5"****Material is highest quality Ductile Iron 80,000 PSI ...****It's durable and won't be broken.**

- Angles can be set in three dimensions.
- The 360° turnable base is graduated in degrees.
- The vice can be elevated through 90° from the horizontal to the vertical position, and it can also be tilted on its lower angle setting base up to 45° in both the left and right directions.
- The vice can be securely locked in all of its three settings.

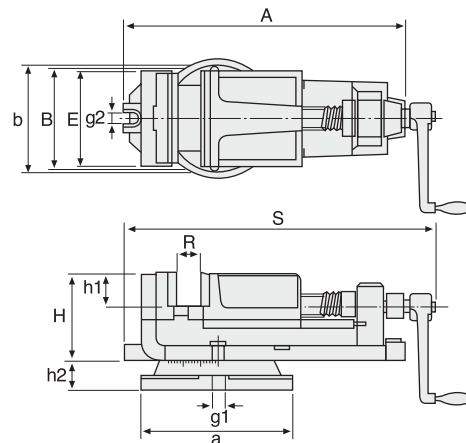
**SPECIFICATIONS** (Material: FCD 55. Ductile Iron)

Unit: mm

NO	Model	A	B	C	H	L	Vertical Height	Weight (kg)
V-69	HY-3"	90	30	80	150	396	386	17
V-70	HY-4"	105	38	106	172	460	470	33
V-71	HY-5"	140	40	132	205	625	590	45



V-72~75

K-TYPE MACHINE VICE**Model: HKV-100, 125, 150, 200****SPECIFICATIONS**

Unit: mm

NO	Model	E	A	B	H	R	S	a	b	h1	h2	g1	g2	Weight (kg)
V-72	HKV-100	100	267	106	75	65	295	160	114	30	25	10	10	10
V-73	HKV-125	125	340	130	99	80	400	210	155	38	23	10	10	16
V-74	HKV-150	150	421	160	105	114	462	245	175	40	40	13	13	26
V-75	HKV-200	200	576	215	144	150	620	340	230	58	45	17	17	52